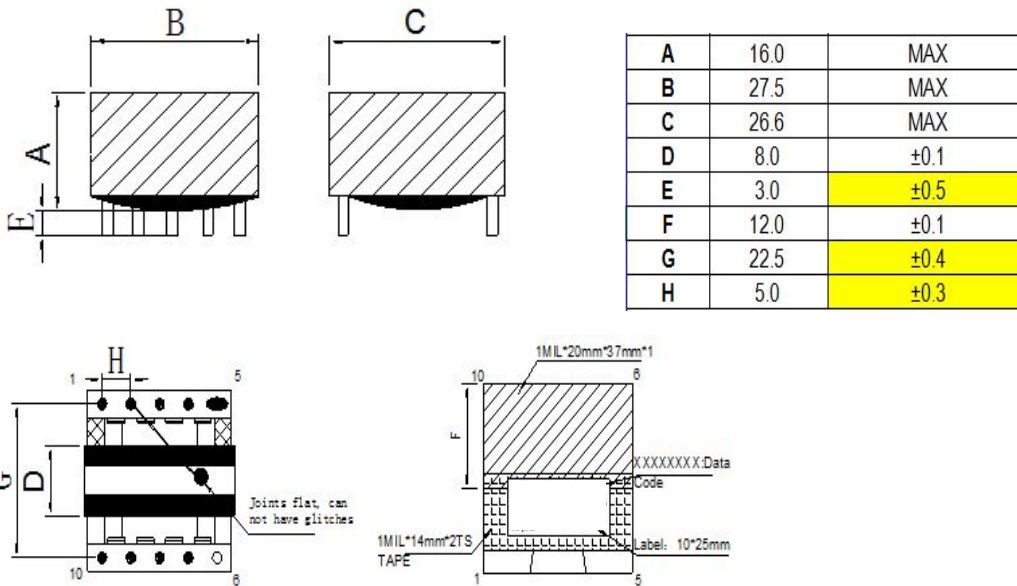
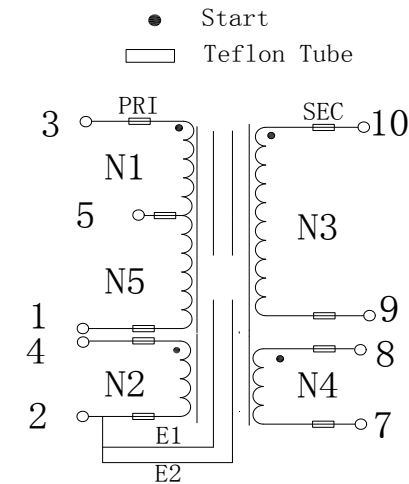


CUSTOMER TERMINAL	ROHS	Lead(Pb)-free
	YES	YES

1. Mechanical Dimensions



2. Schematic Diagram



3. Material List

Core:FW44 EFD25/25/9
 Bobbin:FWB2506(5+5PIN)
 Wire:2UEW TIW
 Copper foil:0.025t*8.0mm
 Operating Temperature: -30 to115 °C

4. Electrical Specification

Inductance : $L(1-3):700\mu H \pm 5\%$ 60KHZ , 1.0V
 Leakage Inductance : 15uH MAX 60KHZ , 1.0V
 DCR : (1-3)=1.38Ω MAX
 Hi-Pot:P-S: AC 60Hz 4000V 1mA 3S
 P-CORE: AC 60Hz 500V 1mA 3S

REV.	DATE	 Convention Placement	DRW.		Drawing Title:	Part No:
0	00/00		CHK.			
ROHS			www.ferriwo.com	APP.		Customer P/N